

## PSH 600 / 800

### Pressing station with horizontal delivery

The MM horizontal delivery is a successful combination of a pressing unit and a horizontal stacker – for an optimised pressing and an efficient forming of stacks together with an ergonomic removal. The leading product within the horizontal stackers – MM PSH – is especially at multiple-up production a reasonable version. The height for removal is constant, as the machine fixed on lift, will be linked slopingly and the infeed of the pressing unit can be set also in a sloping position. Automated shingle control, many possibilities of adjustment and versions. Outstanding is the accessibility. This is particularly important at the removal or the elimination of failures. It is designed for middle batches at multiple-up production. The stacker is used in the middle batches area and often multiple-up production. It can be used behind all saddle stitchers and with an adapter cable also behind all common folding machines.

Using MM deliveries will achieve following advantages:

1. Stabilisation of the folds of the product
2. Reduction of the included air for a better plan condition for the folded sheets
3. Increase of productivity at removal and in the processing.

With pressed products, you will achieve a proven higher rate of use at processing of the folded sheets. The investment in a MM delivery will be paid off within a short time. MM units can be combined with all common folding machines, especially for smallest folds with working widths of 450 mm. Special equipments on request.

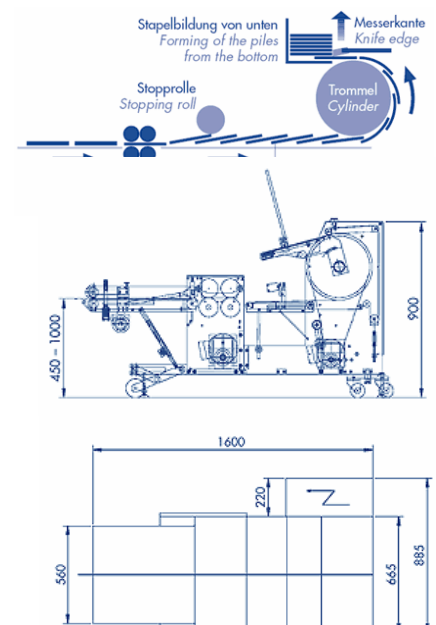
#### Technical data

Working width	600 / 800 mm, further more on request
Product thickness	max. 8 mm
Formats	max. working width x 320 mm, min. 100 x 80 mm
Stack height	max. 400 mm
Pressure	0-20.000N, directly adjustable
Speed	Press 50-230 m/min Delivery 3-30 m/min
Infeed height	both continuously adjustable
Delivery height	440-950 mm, adjustable
Delivery length	875 mm
Power	700-850 mm, adjustable
Control	1,0 kW, 230/400 V, 50/60 mHz Plug connection for all common folding machines/saddle stitchers



#### Equipment

- 8 / 12 upper and lower infeed belts in the pressing unit
- 2 pairs of hard chrome-plated pressing rolls D=100 mm, separately adjustable
- grooved belt shafts for a quick conversion of the infeed belts at change of format or for spreading of multiple ups
- Batch counter pneumatic - standard
- PLC control with easy setting system
- Delivery belts, belt distance 80 mm mid-mid
- Stopping rolls
- Narrow belting
- Jam supervisions
- Mobile on wheels, base on lift, directly adjustable
- Spraying: Machine DESTA-grey, switch box light-grey
- **Options**
- Special spraying
- Drive with 3 phases
- Double grinded rolls
- Interface for GUK, MBO, Stahl, MB Bäuerle and more



Alle Maße in mm

All measures in mm

[maximummachines@googlemail.com](mailto:maximummachines@googlemail.com)