

PSS 600 / 800

Pressing station with shingle delivery

The MM shingle delivery is in combination with the MM pressing unit a simple and efficient solution, to handle sensitive products, which cause marking problems at other models. It is used especially, if small batches are made and the volume of orders is not very high. MM provides pressing units as its best. Special design for special needs. This delivery for small formats is unique. The belting in the shingle station is narrow and allows you to run very small products at a high level. Automated shingle control.

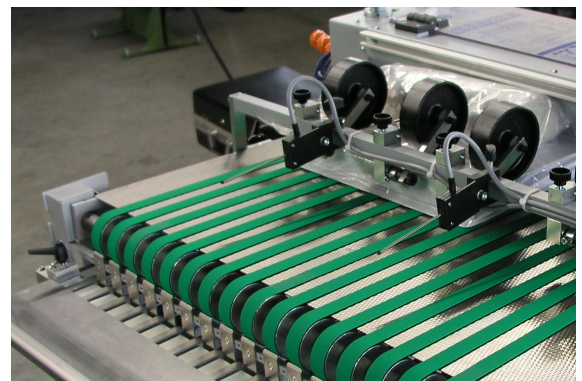
Using MM deliveries will achieve following advantages:

1. Stabilisation of the folds of the product
2. Reduction of the included air for a better plan condition for the folded sheets
3. Increase of productivity at removal and in the processing.

With pressed products, you will achieve a proven higher rate of use at processing of the folded sheets. The investment in a MM delivery will be paid off within a short time. MM units can be combined with all common folding machines, especially for smallest folds with working widths of 450 mm. Special equipments on request.

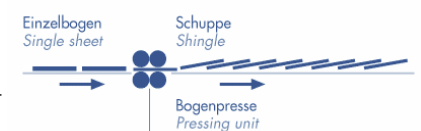
Technical data

Working width	600 / 800 mm, further more on request
Product thickness	max. 8 mm
Formats	max. working width x 320 mm, min. 100 x 80 mm
Pressure	0-20.000N, directly adjustable
Speed	Press 50-230 m/min Delivery 3-30 m/min both continuously adjustable
Infeed height	440-950 mm, adjustable
Delivery height	875 mm
Delivery length	700-850 mm, adjustable
Power	1,0 kW, 230/400 V, 50/60 mHz
Control	Plug connection for all common folding machines/saddle stitchers

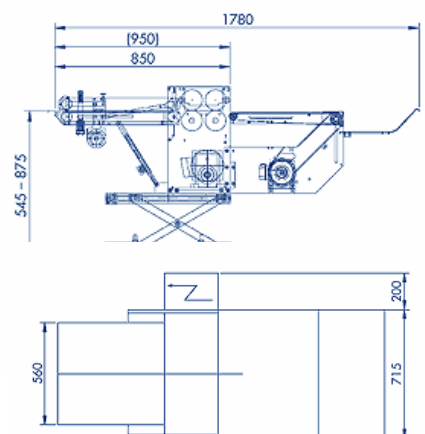


Equipment

- x* upper and lower infeed belts in the pressing unit
- 2 pairs of hard chrome-plated pressing rolls D=100 mm, separately adjustable
- grooved belt shafts for a quick conversion of the infeed belts at change of format or for spreading of multiple ups
- Batch counter pneumatic - standard
- PLC control with easy setting system
- Delivery belts, belt distance 80 mm mid-mid
- Stopping rolls
- Collecting forks, extendible and adjustable in height
- Jam supervisions
- Mobile on wheels, base don lift, directly adjustable
- Spraying: Machine DESTA-grey, switch box light-grey
*x = number dependent on the working width



Seitenansicht
Side view



Alle Maße in mm
All measures in mm